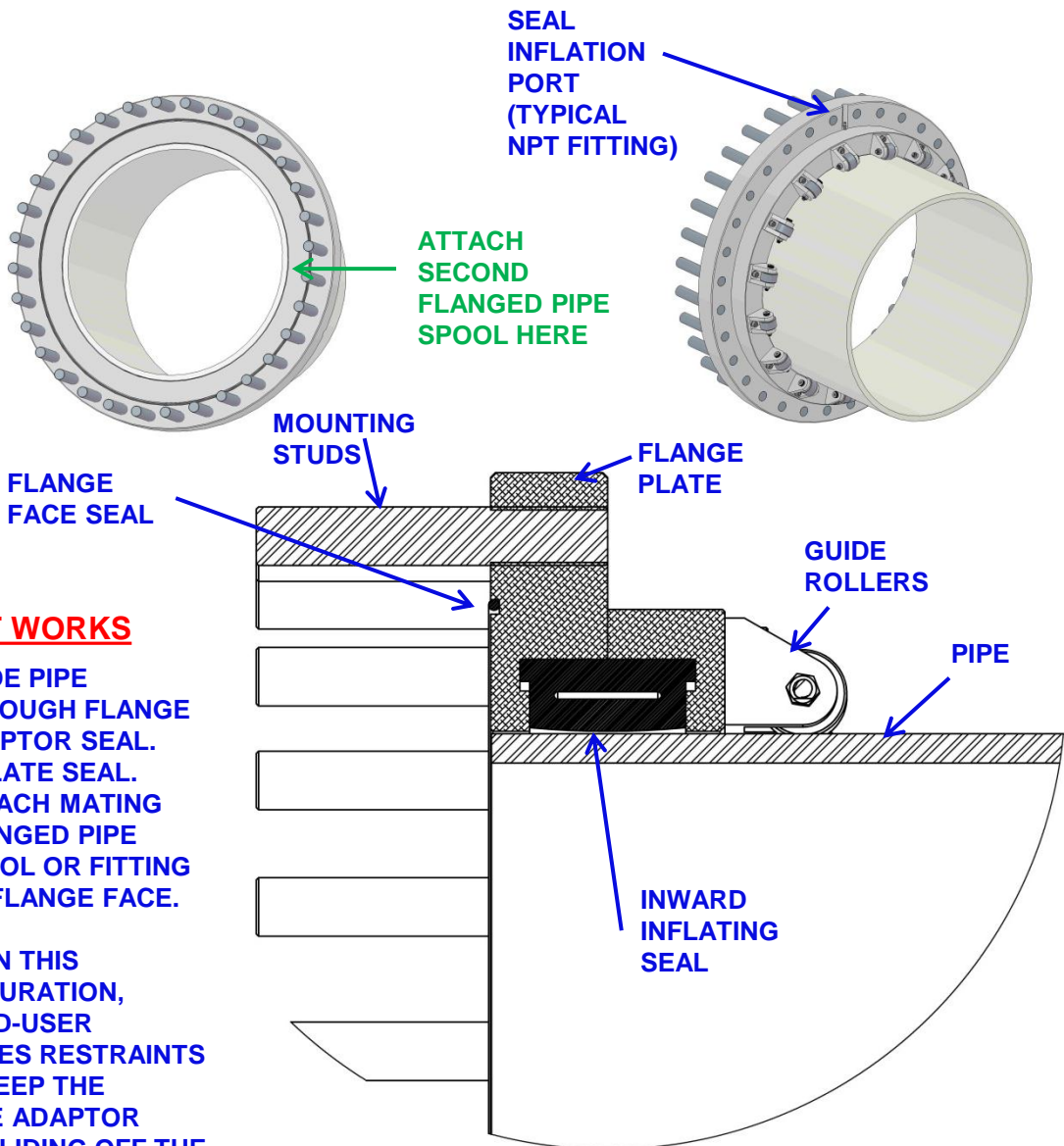


FLANGE ADAPTORS – TYPE A (UNRESTRAINED) END USER PROVIDES RESTRAINT OR FOR LOW PRESSURE



HOW IT WORKS

1. SLIDE PIPE THROUGH FLANGE ADAPTOR SEAL. INFLATE SEAL.
2. ATTACH MATING FLANGED PIPE SPOOL OR FITTING TO FLANGE FACE.

NOTE: IN THIS CONFIGURATION, THE END-USER PROVIDES RESTRAINTS THAT KEEP THE FLANGE ADAPTOR FROM SLIDING OFF THE PIPE WITHIN IT WHEN INTERNAL PRESSURE IS PRESENT.

ADVANTAGE: QUICK INSTALLATION AND ADJUSTABILITY!

SEALFAST™
Products

**Mechanical Research
& Design, Inc.**

