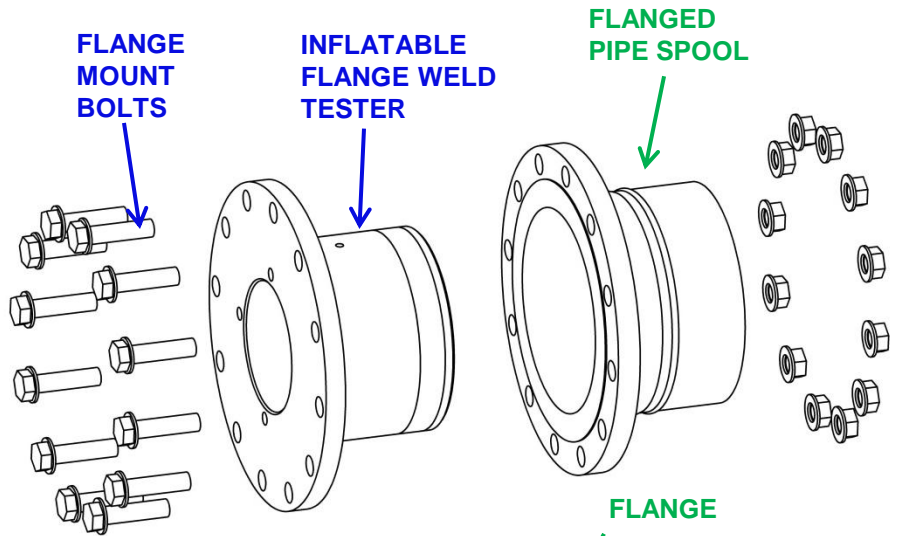


FLANGE TESTERS – TYPE A INFLATABLE STYLE

HOW IT WORKS

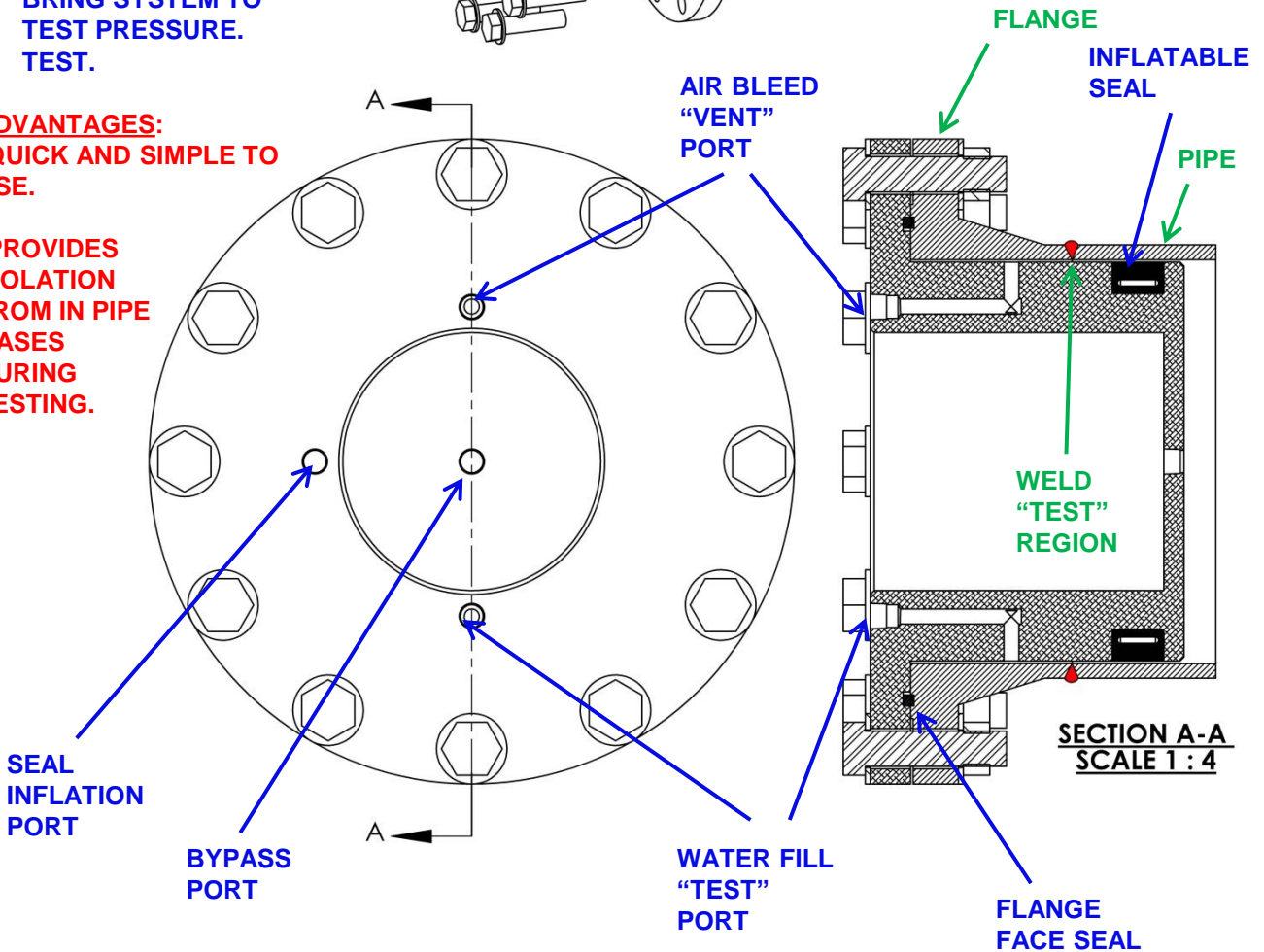
1. SLIDE TOOL INTO FLANGED PIPE SPOOL (MAKE SURE FACE SEAL IS IN PLACE).
2. TIGHTEN FLANGE MOUNT BOLTS.
3. INFLATE SEAL.
4. PUMP TEST FLUID INTO “TEST” PORT AND VENT AIR OUT OF BLEED PORT.
5. CLOSE VENT AND BRING SYSTEM TO TEST PRESSURE.



ADVANTAGES:

*QUICK AND SIMPLE TO USE.

*PROVIDES ISOLATION FROM IN PIPE GASES DURING TESTING.



SEALFAST™
Products

**Mechanical Research
& Design, Inc.**

