

# FLANGE TESTERS – TYPE B MECHANICAL STYLE

## HOW IT WORKS

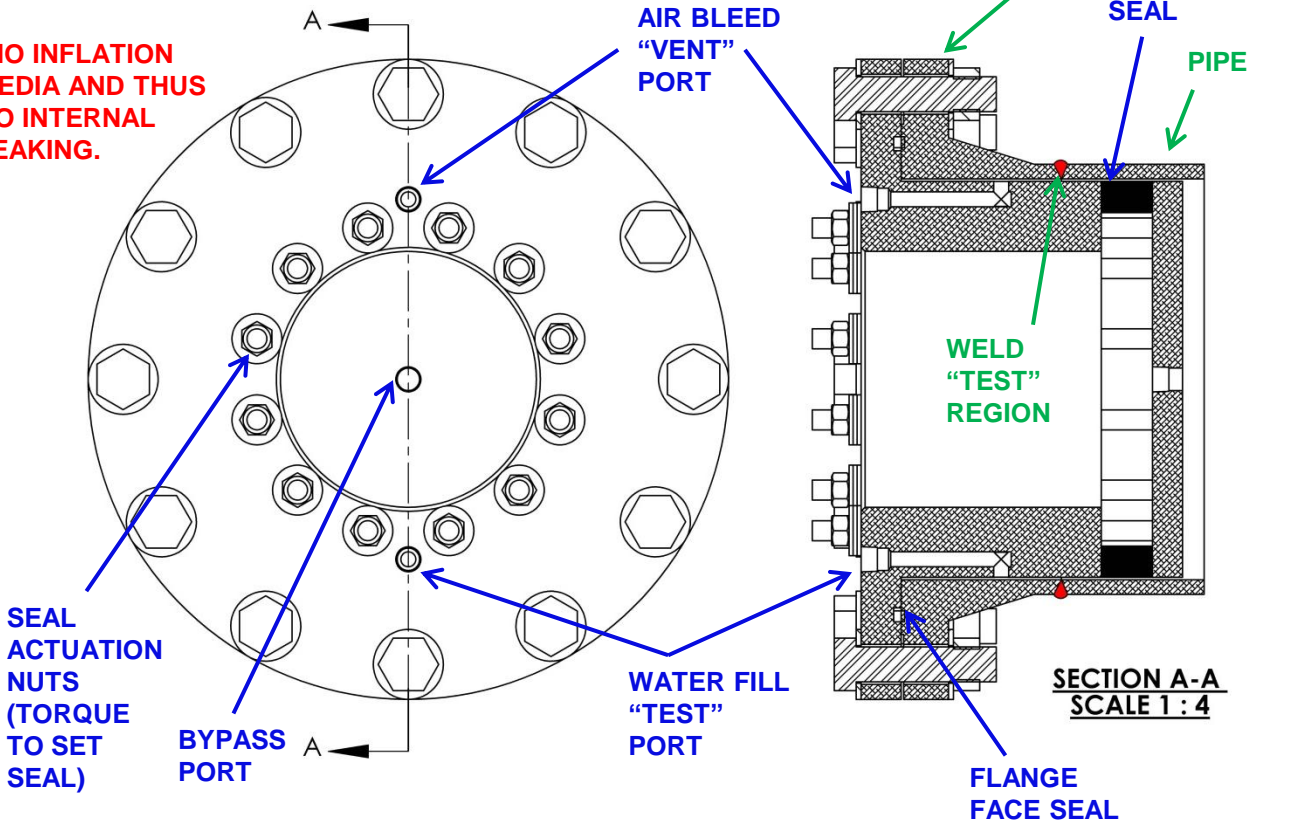
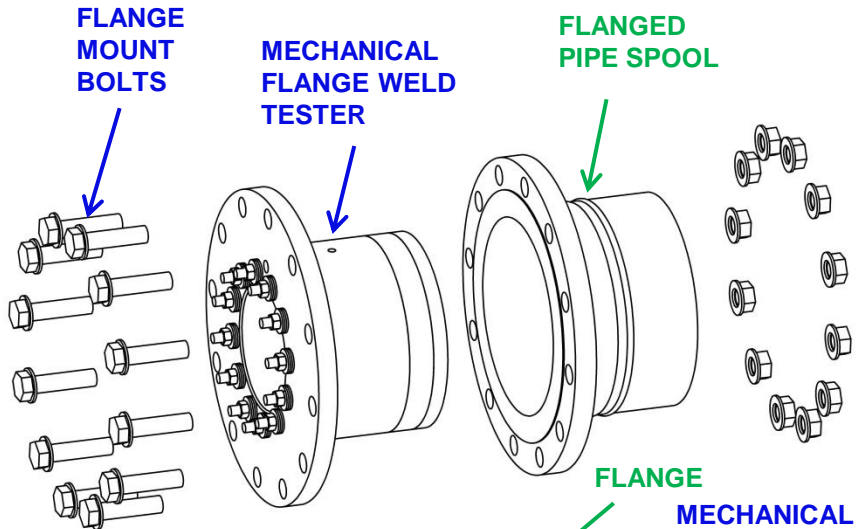
1. SLIDE TOOL INTO FLANGED PIPE SPOOL (MAKE SURE FACE SEAL IS IN PLACE).
2. TIGHTEN FLANGE MOUNT BOLTS.
3. TIGHTEN SEAL ACTUATION NUTS.
4. PUMP TEST FLUID INTO “TEST” PORT AND VENT AIR OUT OF BLEED PORT.
5. CLOSE VENT AND BRING SYSTEM TO TEST PRESSURE. TEST.

## ADVANTAGES:

\*QUICK AND SIMPLE TO USE.

\*PROVIDES ISOLATION FROM IN-PIPE GASES DURING TESTING.

\*NO INFLATION MEDIA AND THUS NO INTERNAL LEAKING.



**SEALFAST™**  
Products

**Mechanical Research  
& Design, Inc.**

