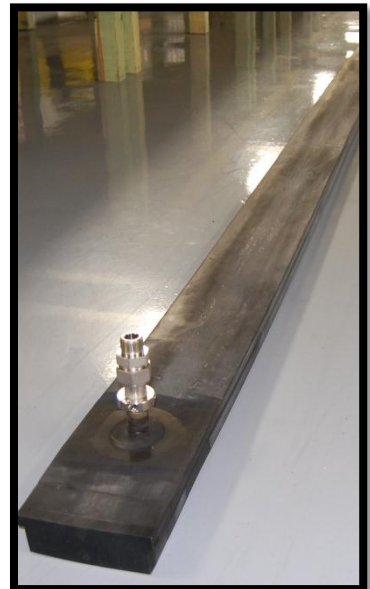
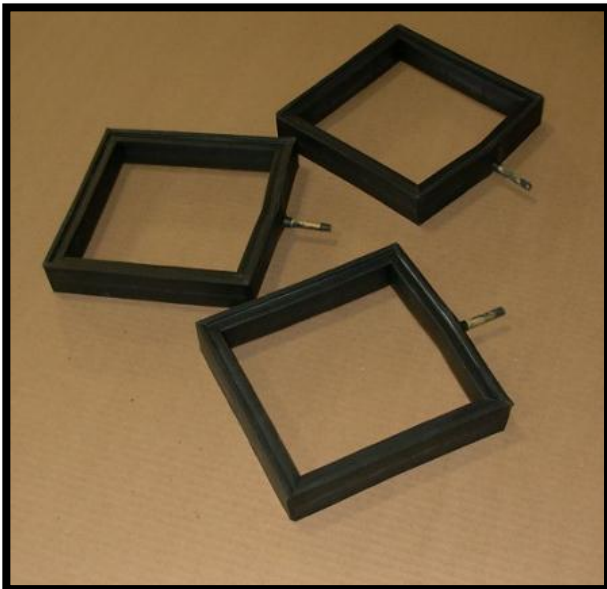


# INFLATABLE SEALS



**SEALFAST™**  
Products

**Mechanical Research  
& Design, Inc.**



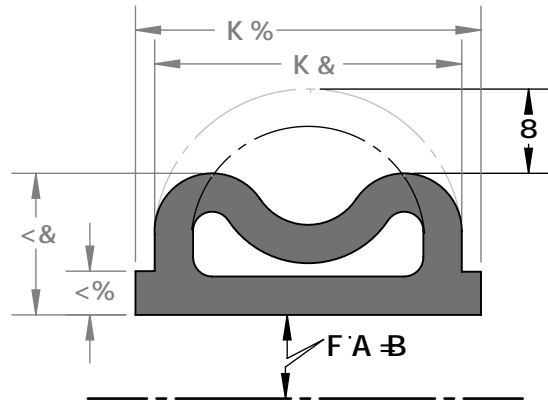
## SEAL INFORMATION "C" SCHEDULE

NAME	#1 CONVOLUTE	#2.5 CONVOLUTE	#4 CONVOLUTE	#6 CONVOLUTE
PART #	03-C10	03-C25	03-C40	03-C60
W1	1.469	2.422	4.500	6.000
W2	1.280	2.220	4.000	5.500
H1	0.250	0.310	0.563	0.625
H2	0.782	0.906	1.844	2.250
D	0.250	0.500	0.750	1.000
D MAX	0.375	0.625	1.000	1.250
R MIN	1.125	4.000	6.500	9.000
LB/FT	0.40	1.00	2.25	5.00
IN STOCK	NR, S, BN	NO STOCK	BN, NR	NR

A 5HF-5@?9M.  
 BF! B5HF5@FI 669F  
 9 9D8A  
 6B! B#F-@#6! B5!B  
 6G! G6F#6! B5!G  
 G! G@7CB9  
 B! B9CDF9B9  
 flH: CC8; F589  
 I!! DC@M F9+k5B9  
 J! J +CB ffl

I BC H? A C GHG95@DFC: -@G5F95J 5-@6@  
 -B 5BMA 5HF-5@-B 5@ C GH5BM8I FCA 9HFZ  
 6! HK @@F9E I F9F9E I F99LHF5 @58 HA 9'  
 I GC 7? 5A CI BHG: @ 7H 5H985-@M  
 7CBH57HI G: CF 89F5-@'

5@-B: C FA 5HC B 56C J 9F9A 5-BGH-9DFC D9FHC :  
 A 97 <5B=7 5@F9G95F7 </ 89G= Bz-B7 " &\$%



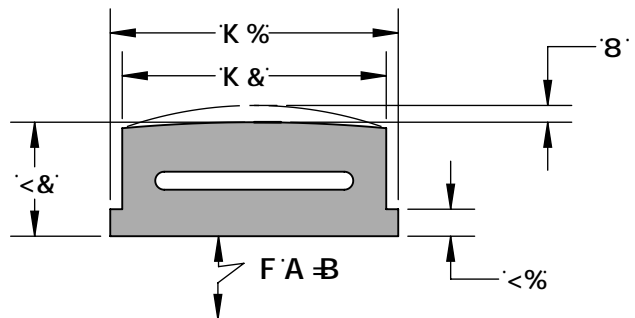
## SEAL INFORMATION "T" SCHEDULE

NAME	JR2	#1	GENR	#2	#2M	#3	#3A	#4	#6	#6A
PART #	03-T01	03-T10	03-T11	03-T20	03-T21	03-T30	03-T31	03-T40	03-T60	03-T61
W1	1.200	1.469	1.490	1.938	2.438	2.906	2.906	4.500	6.000	6.000
W2	1.050	1.281	1.281	1.813	2.000	2.625	2.625	4.000	5.500	5.500
H1	0.125	0.250	0.250	0.250	0.250	0.375	0.375	0.563	0.625	0.563
H2	0.381	0.782	0.775	0.875	0.656	1.219	1.094	1.844	2.250	1.875
D	0.094	0.188	0.188	0.250	0.313	0.375	0.375	0.500	1.000	0.750
D MAX	0.125	0.250	0.250	0.375	0.438	0.500	0.500	0.750	1.250	1.000
R MIN	0.875	1.125	1.125	1.500	1.500	4.500	4.500	6.500	9.000	8.500
LB/FT	0.18	0.42	0.42	0.75	0.80	1.75	1.60	3.50	6.00	5.00
IN STOCK	E	E(F), NR, N, BN(F), S (F), V	E	E, NR, N, BN, S	N	E, NR, BN(F), BS	E, S	E(F), NR(F), BN(F), BS	E, NR	E

A 5HF-5@?9M.  
 BF! B5HF5@FI 669F  
 9 9D8A  
 6B! B#F-@#6! B5!B  
 6G! G6F#6! B5!G  
 G! G@7CB9  
 B! B9CDF9B9  
 flH: CC8; F589  
 I!! DC@M F9+k5B9  
 J! J +CB ffl

I BC H? A C GHG95@DFC: -@G5F95J 5-@6@  
 -B 5BMA 5HF-5@-B 5@ C GH5BM8I FCA 9HFZ  
 6! HK @@F9E I F9F9E I F99LHF5 @58 HA 9'  
 I GC 7? 5A CI BHG: @ 7H 5H985-@M  
 7CBH57HI G: CF 89F5-@'

5@-B: C FA 5HC B 56C J 9F9A 5-BGH-9DFC D9FHC :  
 A 97 <5B=7 5@F9G95F7 </ 89G= Bz-B7 " &\$%



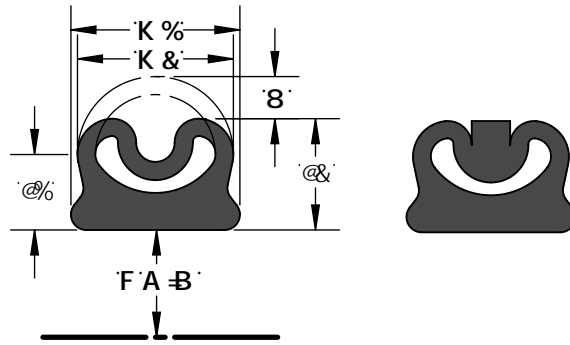
5@-B: C FA 5HC B 56C J 9F9A 5-BGH-9DFC D9FHC :  
 A 97 <5B=7 5@F9G95F7 </ 89G= Bz-B7 " &\$%

D5; 9&

## SEAL INFORMATION "C" 08 & 09 SCHEDULE

NAME	#875	#875-RIB
PART #	03-C08	03-C09
W1	0.880	0.880
W2	0.803	0.803
H1	0.393	0.393
H2	0.584	0.584
D	0.156	0.156
D MAX	0.200	0.200
R MIN	2.500	2.500
LB/FT	0.12	0.14
IN STOCK	E, N, NR, BN, S	BN, S

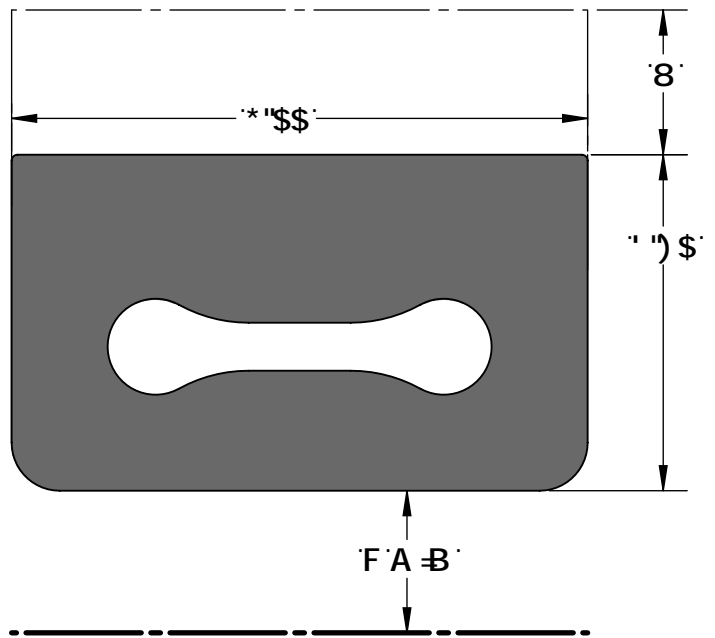
A 5H#-5@?9M.  
 BF! B5H F5@F1 669F  
 9 9D8A  
 6B! B#F@#6! B5!B  
 6G! G6F #6! B5!G  
 G! G@7 CB9  
 B! B9CDF9B9  
 fl# : CC8 : F589  
 I! DC@M F9#5B9  
 J! J #CB fFL



IBC H9 A C G H 95 @ DFC : @G5F95J 5-@6@  
 -B 5BMA 5H#-5@-B 5@ C G H 5B M 8! F C A 9#FZ  
 6! HK -@F9E I #9F9E I #99LH5' @58 HA 9'  
 IGC7? 5A C I BHG : @ 7H 5H985-AM  
 7CBH57HI G: CF 89#5-@

5@@-B: C FA 5HC B 56C J 9F9A 5-BGH-9DFC D9FHC :  
 A 97 <5B-7 5@F9G95F7 </ 89G# Bž-B7" &\$%

B9K °  
 <# < DF9GG F9  
 -B: @H56@G95@  
 89G# BGHC CJ 9F  
 %\$\$\$ DG# G95@B;  
 DF9GG F9'



## SEAL INFORMATION "R" SCHEDULE "R60"

NAME	#6 RECTANGULAR
PART #	03-R60
D	0.750
D MAX	1.250
R MIN	12.00
LB/FT	10.00
IN STOCK	E, NR

5@@-B: C FA 5HC B 56C J 9F9A 5-BGH-9DFC D9FHC :  
 A 97 <5B-7 5@F9G95F7 </ 89G# Bž-B7" &\$%

5@I B#G  
 -B #B7 <9G

D5; 9'

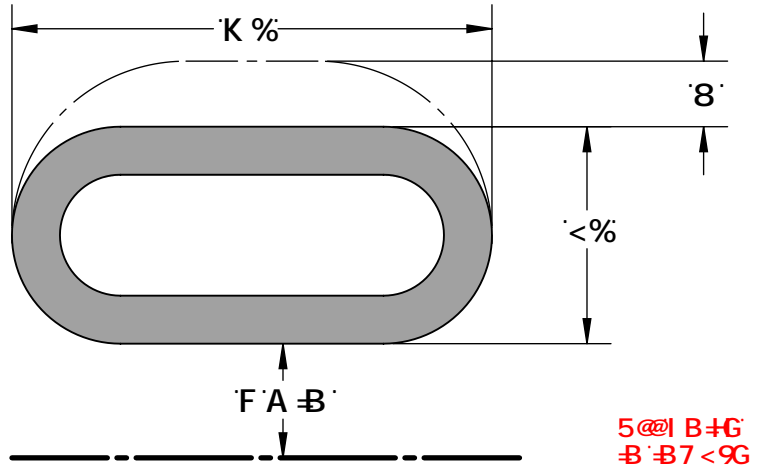
## SEAL INFORMATION "F" SCHEDULE

NAME	FLAT 75	FLAT 1313	FLAT 2500
PART #	03-F08	03-F13	03-F25
W1	1.469	2.422	4.500
H1	0.250	0.310	0.563
D	0.250	0.500	0.750
D MAX	0.375	0.625	1.000
R MIN	1.125	4.000	6.500
LB/FT	0.40	1.00	2.25
IN STOCK	BN, S	BN	S

A 5HF5@?9M.  
 BF! B5HF5@FI 669F  
 99D8A  
 6B! B#F@#6! B5!B  
 6G! G6F #6! B5!G  
 G! G@7 CB9  
 B! B9CDF9B9  
 fl# : CC8 : F589  
 I! !DC@M F9k5B9  
 J! !J #CB ffL

!BCH9: A CGH95@DFC: @G5F95J 5-@6@  
 B! 5BMA 5HF5@B! 5@A CGH5BM8! FCA 9HFZ  
 6! HK @F9E! #9F9E! #99LH5 @58 HA 9'  
 !GC7? 5A C! BHG: @ 7H 5H985-@M  
 7CBH57HI G: CF 895-@G'

5@@B: C FA 5HC B! 56C J 9F9A 5-BGHk9DFC D9FHC :  
 A 97 <5B=7 5@F9G95F7 </ 89G# BZ-B7 "&\$%



5@! B#G  
 B! B7 <9G

7! GCA 'DFC: @'CF'G<5D9'B99898''''BC 'DFC 6@A .K 9'<5J 9'89J 9@ D98  
 <I B8F98G'C : 'C Hk9F 'DFC : @GBC HG<C K B <9F9'B 'C I F'GH5B85F8 'DFC : @G@GHB; 'Hk5H  
 K 9'FI B 'C B '5 'D9F 'B 998 '65G@'' 5 @C Z 7 5 @! G'HC 85M: C F 'M C I F '7! GCA #98'  
 5DD@7 5HC B '5B8 'K 9'K @F97 CA A 9B8 '5B '9L-GHB; 'DFC: @'CF'89J 9@ D'5 'B 9K '  
 DFC: @' : C F 'M C I 'B 'K 99?G"

B: @5H56@9C!F-B; G3'K 9'8C 'Hk9A .75@! G'HC 85M: C F 'C I F '7! GCA #98  
 B: @5H56@9C!F B; GZ 895@: C F '8 #: 7! @HHC 'A 5H7 <'G F: 57 9G'5B8 '7 CBHC I FG"

G-PA @GG'5B8 'A C @898 'G95 @G 'K 9'5F95 @C '5B 'B8! GHM@589F 'B 'G-PA !@GG'  
 5B8 'A C @898 'G95 @G'HC : #19J 9B 'Hk9'A C GH7 <5 @9B; B; '5DD@7 5HC BG'' 895@: C F 'H# <H  
 7 @5F5B7 9G'K <9F9'GD57 9'G'5H5 'DF9A # A "'K 9'A C @8 'G-PA @GG'G95 @G 'B 'B 95F @M5BM  
 GA9ZG<5D9Z'5B8 'A 5HF5@' '895@: C F 'G<5: HG95 @Z GA 5 @6C F9 @95? 'H9GHHC C @Z'5B8 '  
 @F; 9Z <# < 'F58-5@7 @5F5B7 9Z <# < 'H5J 9@G95 @G"